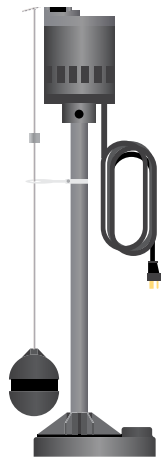




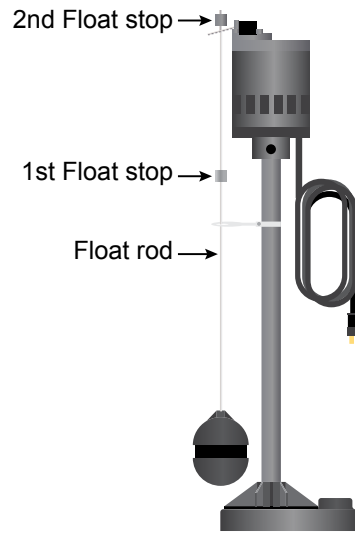
# PEDESTAL SUMP PUMP

MODEL #1084-0001

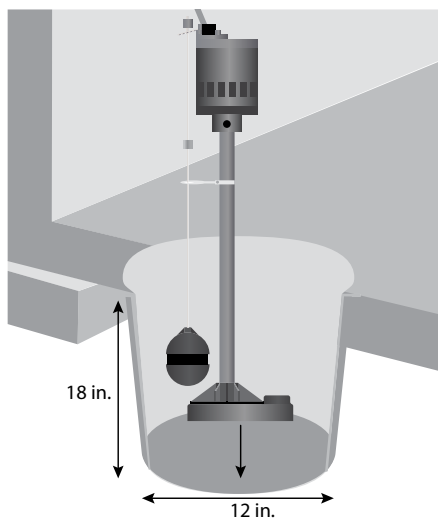
**QUICK REFERENCE  
GUIDE.  
SEE INSTRUCTION  
MANUAL FOR  
COMPLETE DETAILS.**



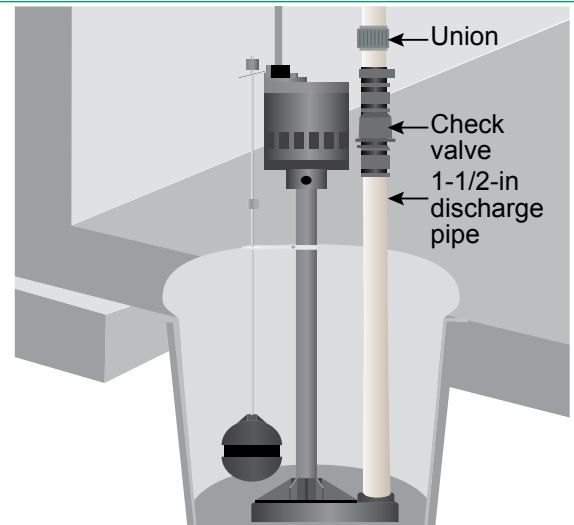
**WARNING: FOR YOUR  
PROTECTION, ALWAYS  
DISCONNECT PUMP FROM  
POWER SOURCE BEFORE  
HANDLING.**



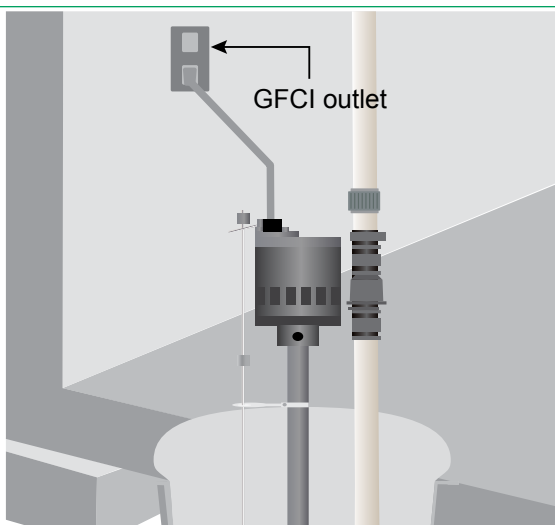
1. Assemble float rod guide and float according to included instructions.



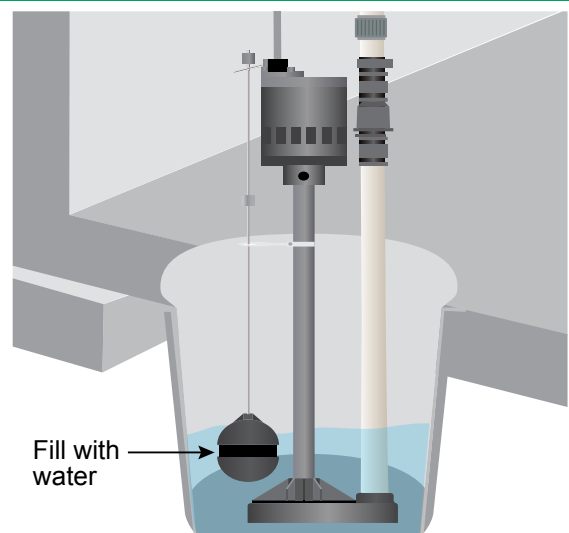
2. Place pump in a sump basin that is at least 12 in. wide and 18 in. deep.



3. Install rigid 1-1/2 in. discharge pipe, union, check valve according to code.



4. Connect pump power supply to a GFCI-protected receptacle.



5. Test the operation of pump by pouring water into the sump basin.